



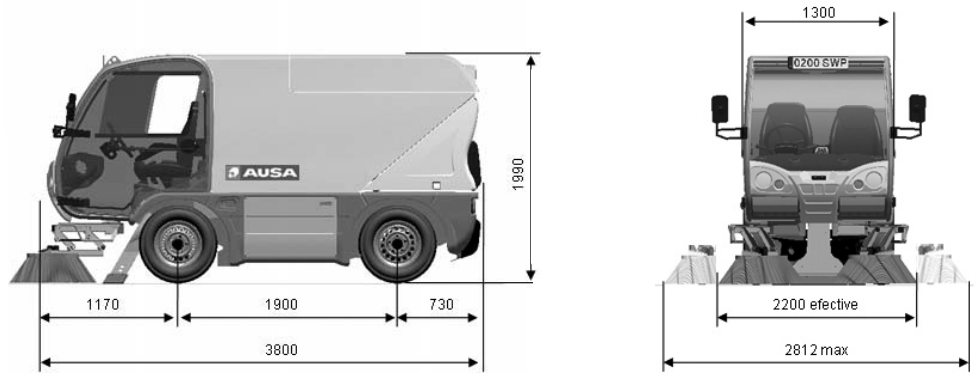
The People You Know. The Products You Trust.



B200

- EQUIPPED WITH A LOW FUEL CONSUMPTION
- FULL VISIBILITY
- LOW NOISE
- EXCELLENT MANEUVERABILITY
- VERY COMFORTABLE OPERATION POSITION

**QUALITY – PERFORMANCE –
PUBLIC SAFETY – VALUE –
CUSTOMER SUPPORT**



TECHNICAL SPECIFICATIONS

Waste Hopper	Capacity	2 m ³	
	Dump Height	1580 mm	
	Discharge Type	Rear tilting	
	Material	Stainless Steel	
Water Tank	Capacity	300l	
	Material	HDPE Rotomoulding	
Turbine	Max Flow	9000 m ³ /h at 3000 rpm	
	Flow at optimal working speed	6000 m ³ /h at 1500 rpm	
	Turbine speed	Hydraulic control on turbine speed	
	Fan material	Steel - optionally Stainless Steel	
Suction Nozzle	Nozzle width	800 mm	
	Material	Stainless Steel	
Brush System	Type	2 independent brushes with control on width, height and length of brushing area	
	Wear adjustment	No need to adjust	
	Floor load	2 modes - Hydraulically controlled or mechanical floating system with weight compensation	
	Brush speed	Hydraulic control	
	Effective Sweeping width	2200 mm	
	Max Sweeping width	2812 mm	
	Brush diameter	850 mm	
	Type of brush	Mix Steel - Nailon with fast coupling system	
	Brush system material	Stainless Steel	
Maneuverability	External turning radius	3623 mm	2700 mm
	Internal turning radius	900 mm	900 mm
Engine	Make	VOLKSWAGEN	
	Type	2.0 TDI Euro 5	
	Emissions	Euro 5	
	Power	75 -102 (3000 rpm) kW-CV	
	N. Of Cylinders	4	
	Cooling system	Liquid with variable speed fan and auto cleaning system	
	Fuel	Diesel	
	Tank capacity	60 l	
Transmission	Type	2 speed hydrostatic Rexroth with wheel engines on rear axle	
	Max speed	50 km/h	
	Max working speed	25 km/h	
	Gradient negotiable	29% at full load	
Brakes	Service	Servo assisted brake , disk brake on front wheels and drum brakes on rear wheels	
	Parking	Mechanical brake on rear axis	
	Others	Load compensation	
Steering	Type	Orbitrol hydraulic steering	
	Modes	Front	Front / Front + Rear / Crab
Suspension	Front	Hydraulic absorbers + Springs	
	Rear	Hydraulic absorbers, Springs and anti roll bar	
Weight	Unloaded weight	3050 kg	3100 kg
	Gross weight	4500 kg	

STANDARD EQUIPMENT

High visibility cabin with inspection windows for Nozzle and Brushes
 Driver seat with mechanical suspension
 Adjustable passenger seat
 Steering wheel with regulation on height and depth
 High capacity heater
 Electronic control for the speed of the engine
 Electronic control for the speed of the vehicle
 Sweeping control system with proportional joysticks
 Radio pre-installation
 Approved lighting equipment with rotating beacon and 3 LED flashing lights on the back
 AUSA fuel saving

OPTIONAL EQUIPMENT

Manual wander hose reaching up to 5m
 High pressure water jet spray lance (150 bar)
 Automatic lubrication system
 Sweeping water recycling system
 Hopper chains for leaf sweeping
 Rear and Nozzle cameras
 Driver seat with pneumatic suspension
 Left side drive
 Electrically adjustable rear mirrors with heater
 Working lights
 Air conditioning
 Radio CD
 Tacograph
 Towing hitch ball
 Towing hitch Rockingler
 LINK® System for the fast coupling / uncoupling of hopper, brushes and mouth